

# Sentinel 300P





Programmable switch mode charger



\* UL tested (listed or recognised) to:  
UL1236 – Battery chargers for charging engine-starting batteries, and  
CSA22.2 No. 107.2 – Battery chargers. See specifications for details.

## Features

- Microprocessor controlled, programmable battery charger
- High rate, low ripple float charging: 10A @ 12/24 VDC
- AutoBoost and temperature compensation
- Options for RS485/CANbus connectivity, LCD display and analogue meters
- Panel mount module or wall mounted, stainless steel enclosure
- For stationary engine, genset and standby power applications

-     and  
NFPA110 compliant

Sentinel 300P battery chargers provide new levels of DC power control, monitoring and protection for engine starting and standby battery applications.

Computronic advanced charger features included as standard:

- **Switch mode charging technology:** high power efficiency and low heat dissipation, plus wide supply voltage tolerance, in a compact and lightweight package.
- **Multistage charging:** float, bulk, absorption and AutoBoost stages ensure no compromise between rapid charge recovery and long term battery capacity and life.
- **Low output ripple:** <1% ripple, beneficial for vented lead acid & NiCd cells, essential for VRLA, and configurable for use as a stand-alone DC power supply.
- **AutoBoost:** triggered automatically on low charge levels, or manually by remote switch, AutoBoost temporarily increases the charge voltage before returning to float mode. Equalising battery cell charge without overcharge and gassing, AutoBoost maximises cell capacity and life.
- **Temperature compensation:** ensures batteries are charged at the optimal voltage, which varies significantly with ambient temperature. Sentinel can measure temperature with a battery mounted sensor, and adjusts output voltage to prevent under or over charging.

In addition, the Sentinel 300P also provides:

- **Flexible configuration:** microprocessor programmability for automatic or manual configuration of output voltages (12 or 24V nominal), cell types/numbers and charging applications – all in one standard model. Programming is by circuit board links or PC software configuration and monitoring tool.
- **Inputs & outputs:** for remote charger control, and signalling of charge fail, high/low battery volts and mains fail faults. Standard output functions are NFPA 110 compliant. Non standard input/output functions are available to special order.
- **Display, instrumentation and communication:** options allow LCD readout, analogue metering, plus RS485 / CANbus control and transmission of battery and charge data.

The Sentinel 300P is available either as an open-frame (UL-recognized) module for mounting in existing control panels, or as a wall-mounted (UL-listed) stainless steel enclosure with LCD and analogue metering options.

Electrical connection is by screw terminal blocks. On enclosed models, wiring harness access is by knock-out cable gland holes in the case side.

**Warranty:** a two year limited warranty on materials and workmanship is given with this product, details available on request.

## Specifications

### Power supply

**Operating voltage:** 95 – 250 V AC  
**Operating frequency:** 47 – 63 Hz.

### DC Charge Output

**Nominal voltage:** programmable 12 or 24 V DC  
**Float/boost voltage:** programmable, see 'output calibration' table  
**Maximum current limit:** 10 A  
**Voltage ripple:** <1%  
**Line regulation:** <2%  
**Load regulation:** <2%

### Outputs x3 (x4 for non-CAN configurations):

#### All models:

1 x SPCO (RL1), 1 x SPNC (RL2), 1 x SPNO (RL3),  
 dry/volt-free contacts (common feed for RL1, RL2 & RL3)

#### Standard models (non-CAN configurations):

1 x SPNC (RL4), dry/volt-free contacts  
 standard output functions (charge fail, AC fail, low battery volts, high battery volts) are NFPA 110 compliant.

**Rating (all relays):** 1A max @ 30 VDC (resistive load), UL class 2

### Inputs x2:

Closed to negative DC to activate, configurable function

### Physical

**Operating temperature:** –40 to +60°C / –40 to +140°F  
 Display viewability (LCD models): 0 to 50°C / 32 to 122°F

**Humidity:** 20% to 90% RH

**Dimensions:** see Dimensions section

**Weights:** see Dimensions section

**Electrical safety:** 2006/95/EC

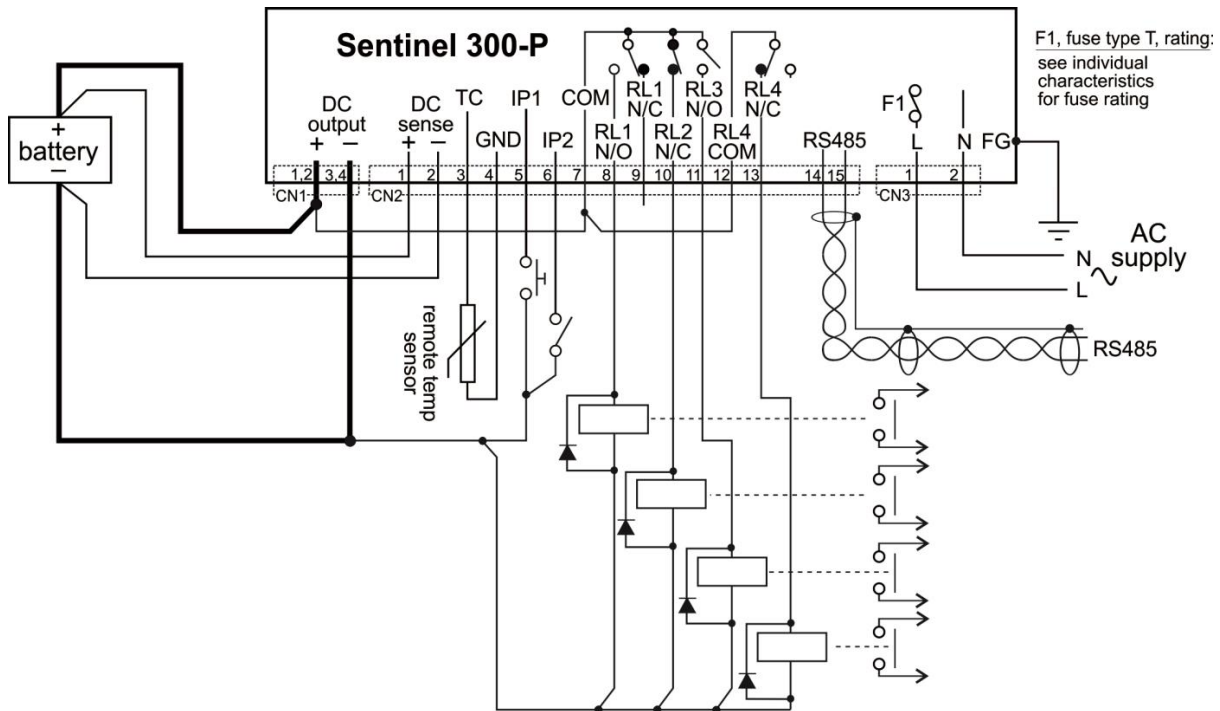
**Electromagnetic compatibility:**  
 2004/108/EC, EN 55022 class B  
 (EN 61000-6-1, EN 61000-6-3)

### UL approvals

#### All standard (E)SNTL300P models:

BBGQ: UL1236, CSA22.2 no. 107.2  
 BBHH: UL1236 SE

## Electrical connection



### Notes:

- 1) AC input fusing (F1): replaceable, circuit board mounted fuse, rating as shown on the product label.
- 2) DC output fusing: all models include a self-resetting electronic output fuse.
- 3) DC output is isolated from chassis.
- 4) connection shown for standard configurations with output RL4. (RL4 is not available on units configured for CAN communication.)

## Output calibration

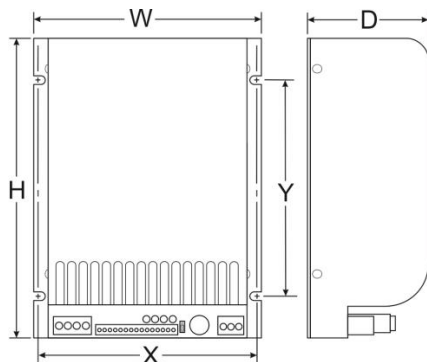
Battery type is selected by circuit board DIP switches or SNTL-PCSUITE configuration software.

Calibration figures at 20 deg C. If temperature compensation is enabled, and remote SNTL-RTC temperature sensor connected, output voltage automatically varies by 3mV per cell per 1°C deviation from 20°C, within the range -10 to +50°C. Increasing temperatures give decreasing outputs; decreasing temperatures give increasing outputs.

Battery type		float volts (V DC)	boost volts (V DC)
12V	Wet (vented) lead acid, 6 cells	13.5	14.1
	Calcium-Calcium, 6 cells	13.8	15.6
	Lead acid hybrid Sb-Ca, 6 cells	13.5	14.7
	VRLA, AGM, 6 cells	13.5	14.4
	VRLA, Gel, 6 cells	13.5	13.8
	NiCd, 10 cells	14.1	14.5
24V	Wet (vented) lead acid, 12 cells	27.0	28.2
	Calcium-Calcium, 12 cells	27.6	31.2
	Lead acid hybrid Sb-Ca, 12 cells	27.0	29.4
	VRLA, AGM, 12 cells	27.0	28.8
	VRLA, Gel, 12 cells	27.0	27.6
	NiCd, 18 cells	25.6	26.1
	NiCd, 20 cells	28.2	29.0

## Dimensions

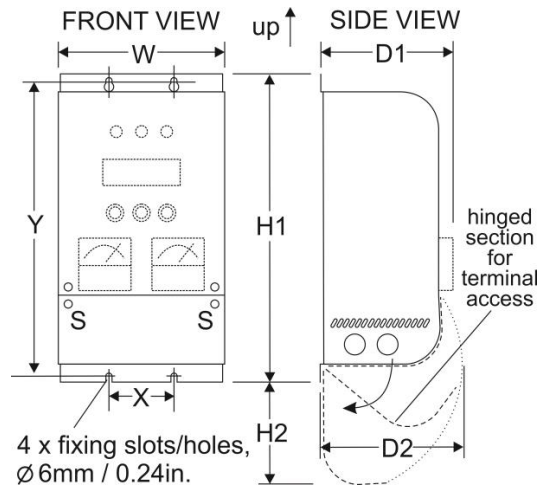
Open-frame SNTL300P



Optional clip for DIN rail mounting (2 required for each charger), part number 045-0001

Overall:	
<b>W</b>	158 mm / 6.22 in.
<b>H</b>	208 mm / 8.19 in.
<b>D</b>	84 mm / 3.31 in.
Fixing holes:	
<b>X</b>	150 mm / 5.91 in.
<b>Y</b>	150 mm / 5.91 in.
Weight:	
	1.1 kg / 2.5 lb.

Enclosed ESNTL300P



Overall:	
<b>W</b>	165 mm / 6.50 in.
<b>H1</b>	300 mm / 11.81 in.
<b>H2</b>	80 mm / 3.15 in.
<b>D1</b>	125 mm / 4.92 in.
<b>D2</b>	130 mm / 5.12 in.
Fixing holes:	
<b>X</b>	63.5 mm / 2.50 in.
<b>Y</b>	285.5 mm / 11.25 in.
Weight:	
	2.0 – 2.1 kg / 4.4 – 4.6 lb.

Dimensions for reference only. Use actual product for mounting template. For safe heat dissipation, mount product in orientation shown, with minimum air-gap clearance of 40mm/1.5 in. above/below and 25mm / 1.0 in. at each side..

# Sentinel 300P Programmable switch mode charger

## How to order

	Stock code	Model	Description
 	42.70.3850	SNTL300P	Open-frame (protective cover) Sentinel 300P Input supply 110/120/220/240VAC (50Hz/60Hz) Output 10A @ 12/24V
	42.70.3851	SNTL300P-FP	Open-frame (protective cover) Sentinel 300P Fire Pump application
	42.70.3852	SNTL300PC	As above, plus CAN/J1939 communication.
 	42.70.3879	ESNTL300PM	Enclosed Sentinel 300P Input supply 110/120/220/240VAC (50Hz/60Hz) Output 10A @ 12/24V Analog ammeter and voltmeter
	42.70.3877	ESNTL300PCL	Enclosed Sentinel 300P Input supply 110/120/220/240VAC (50Hz/60Hz) Output 10A @ 12/24V LCD readout, control/program buttons and CAN communications
 	42.70.3875	ESNTL300PCLM	As above, plus analog ammeter and voltmeter.
	42.70.3619	SNTL-RTC	Remote temperature sensor with 3.0 metre / 9.8 feet lead assembly, for automatic charge output temperature compensation.
	42.70.3898	SNTL-PCSUITE	Windows®-based software suite for all (E)SNTL300P models. Request by email with company name, details and valid email address.
	42.70.3899	SNTL-PCCONN	PC connection suite for all (E)SNTL300P models. Includes SNTL-PCSUITE software on CD-ROM, charger RS485 lead (2 metre / 6.5 feet), RS485/USB converter and USB lead (1 metre / 3.2 feet).



www.pc-s.com

For more information and certifications, please contact:

**Panel Components & Systems, Inc. ■ Phone: (800) 523-9194 ■ info@pc-s.com**

Main Office:

Stanhope, NJ

Phone: (973) 448-9400